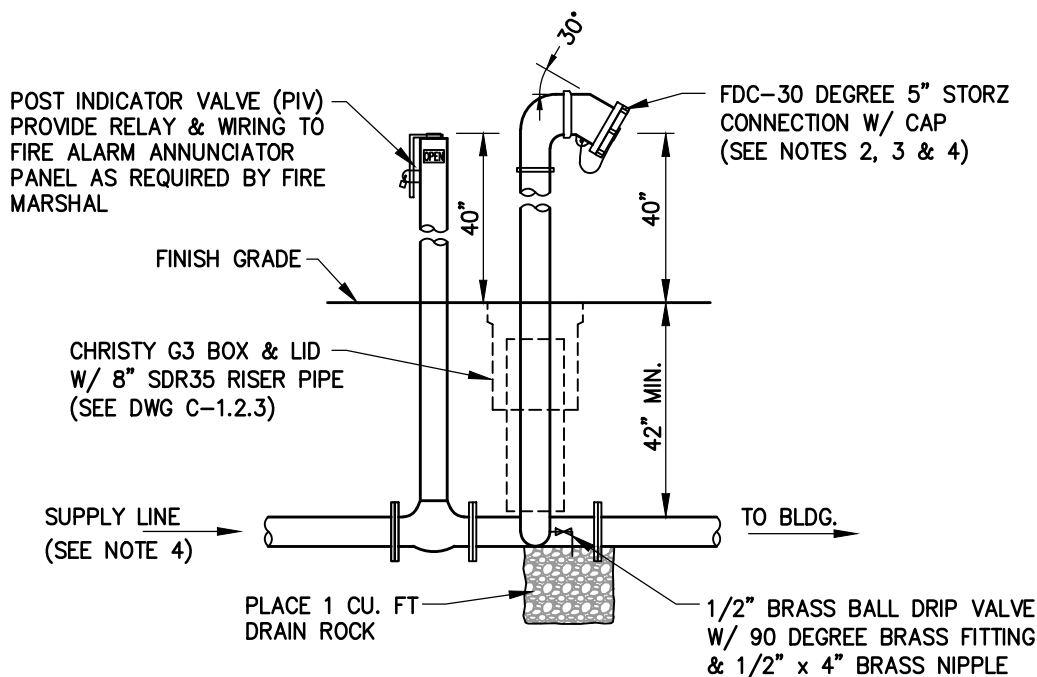



**PLAN VIEW**  
NTS



**SECTION A-A**  
NTS

**NOTES:**

1. CARSON CITY FIRE MARSHAL SHALL SPECIFY LOCATION OF FIRE DEPARTMENT CONNECTION (FDC). CLEARANCE AROUND FDC SHALL BE 3 FEET RIGHT, LEFT, REAR, AND 20 FEET IN FRONT.
2. A METAL SIGN WITH RAISED LETTERS AT LEAST 1 INCH IN SIZE SHALL BE MOUNTED ON ALL FIRE DEPARTMENT CONNECTIONS SERVICING AUTO SPRINKLERS, STANDPIPES OR FIRE PUMPS. SUCH SIGNS SHALL READ "AUTO SPRINKLER", "STANDPIPE", OR "TEST CONNECTION" AS APPLICABLE. WHERE THE FDC DOES NOT SERVE THE ENTIRE BUILDING A SIGN SHALL BE PROVIDED INDICATING THE PORTIONS OF THE BUILDING TO BE SERVED.
3. FIRE PROTECTION FACILITIES ARE OWNED AND MAINTAINED BY THE CUSTOMER.
4. ASSEMBLIES AND PIPING ON FIRE LINES SHALL BE FM/UL AND CONFORM TO THE APPLICABLE NFPA. THRUST BLOCKING AND/OR MECHANICAL RESTRAINTS SHALL BE PROVIDED AS NECESSARY.

NO.	REVISION	DATE	STANDARD DETAIL FOR PUBLIC WORKS CONSTRUCTION	SECTION
			<b>POST INDICATOR VALVE AND FIRE DEPT. CONNECTION</b>	CARSON CITY
				DRAWING NO. C-3.3.4 (203, 207)
				DATE
				SEP 2017
APPROVED BY: 			9/17	